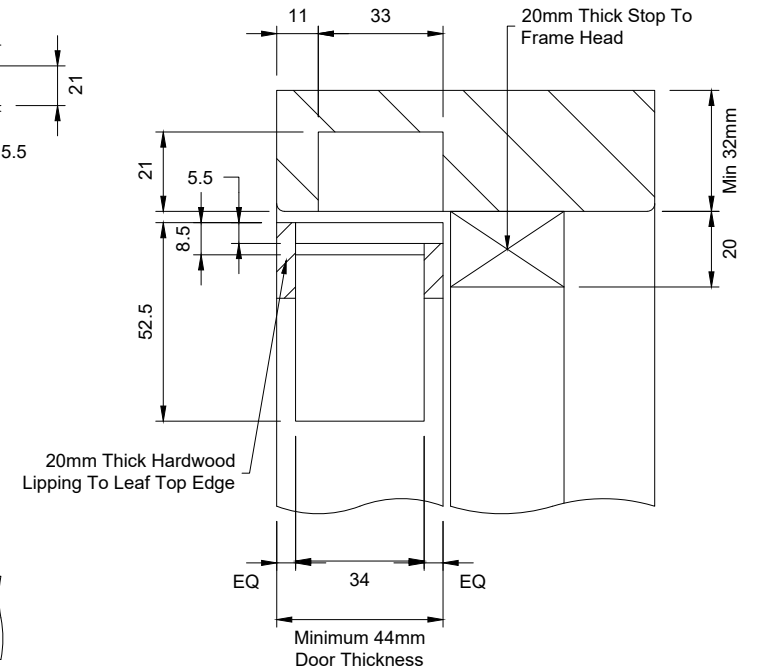
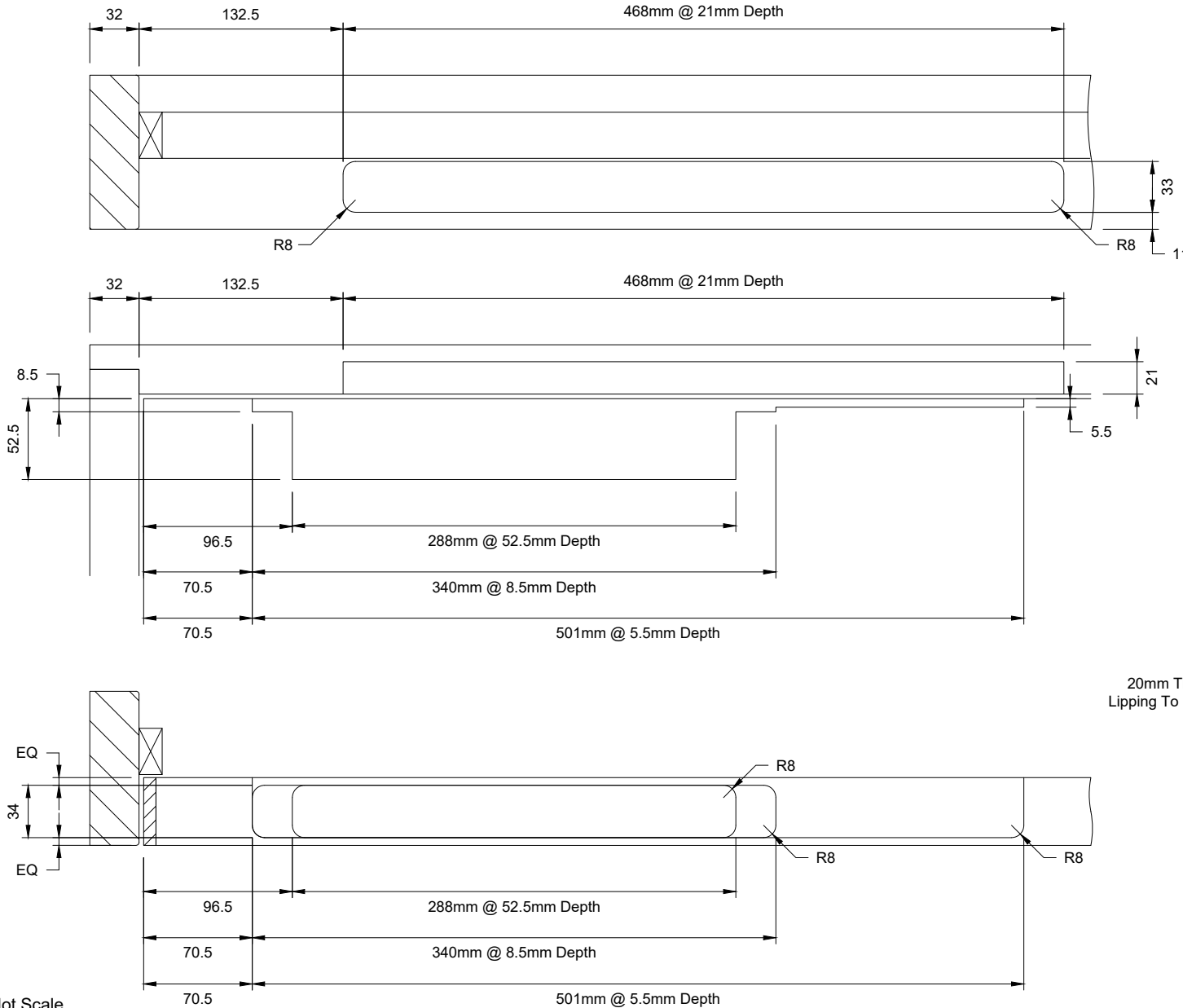


All Dimensions Are  
In mm Unless Stated

**Notes:**

- Minimum 44mm Door Thickness
- 20mm Thick Hardwood Lipping To Leaf Top Edge
- 20mm Thick Stop To Frame Head (Planted On Or Rebated)
- Minimum 32mm Thick Frame Section



Do Not Scale.

If In Doubt Ask!

Description: **Concealed Closer Machining - NFR - 44mm Core - Dormakaba ITS96 2-4**

Drawn By: **O BOOY**

Approved: **Approved**

Date: **19/05/2026**

Cert / FoA Ref:

Drawing No:

© Doorpac Ltd

Size: **As Above**

Rev:

Fire Rating:

**DP21961**



Job No:

Tolerance: **±0.25mm**

**NFR**

**Rev01**